

PROBLEMATIC ASPECTS OF INCLUSIVE DESIGN IN THE CONTEXT OF THE WAR BETWEEN RUSSIA AND UKRAINE

Polumysna Olga,
Bulatov Valery

Introduction.

The military conflict in Ukraine, which began in Ukraine in 2014 with the annexation of Crimea and eastern territories and continued into a full-scale war in 2022, revealed problems that the public had paid little attention to before. We are talking about refugees with disabilities. This problem has repeatedly been the subject of research by many scientists during various military conflicts. So, for example, the author C. Vains in his study suggested the possibility of applying the practice of interior design in the design of an inclusive space in order to organize a place for refugees, as well as other communities of socially marginalized migrants [1]. Also, researchers Silva, R. L., Oliveira, J., Dias, C., Pinto, I. R., & Marques, J. M. analyzed the impact of an inclusive refugee policy, which, in various manifestations, was perceived differently by the public. That is, in one locality, the level of negative attitude towards refugees increased or, on the contrary, negative tension decreased, which contributed to the processes of integration and further assimilation [2]. In the studies of scientists Cala, Veronica S.; Soriano-Ayala, Encarnacion and López-Martinez Manuel H. analyzed the adopted initiative - inclusive European citizenship in relation to refugees, as an opportunity to implement new dimensions of equality, opportunities and accessibility [3]. Author Caroline Vains presented a design for a guest house that takes into account the multifaceted needs of refugees. The undertaken relational methods in design represent new possibilities of intercultural relations [4]. Researcher Maria Berghs in her article presented the problem of people with disabilities

who ended up in refugee camps and faced barriers in finding the most necessary needs and the influence of ableism [5].

In his dissertation research, the scientist C. Ali presented the problems that people with disabilities face during armed conflicts, their peculiarity in vulnerability created by their disability. In matters of evacuation, accommodation, access to humanitarian assistance, medical assistance, legal protection, access to sources necessary to resolve biological needs [6]. The author Arkadiy Bushchenko, in his analytical report to the Ukrainian Helsinki Union for Human Rights, on the rights of persons with disabilities in the armed conflict in eastern Ukraine, presented an analysis of the situation of children and adults with disabilities who encountered barriers during hostilities and evacuations. He also tried to assess the problems in the post-evacuation period in accordance with the international obligations of Ukraine [7]. The scientist Brigitte Rohwerder in her article explores the experience of people with reduced intellectual abilities who are subjected to violence due to ongoing conflicts that have a disabling effect on their psyche [8].

The author Ashleigh Stewart presented in her study the problem of refugees from Ukraine with disabilities with limited mobility, who faced the problem of accessibility in one of the European countries [9]. Researcher R. Kravchenko presented an analysis of the events associated with the migration of refugees from Ukraine as a result of the war to Poland, where, being excommunicated from the community, there is a risk of being abandoned and forgotten [10]. The scientist B. Rohwerder, studying the problem of long-term and forced displacement of women and girls refugees, noted the high degree of vulnerability of this category of people in conditions of prolonged displacement [11]. Researchers Hart Naomi, Crock Mary, McCallum Ron, studying the issue of migration of refugees with disabilities, found that this period has a devastating impact on people with disabilities [12, p. 153]. The scientist A. Hamraie in a scientific article presented the role of universal design in the formation of a new epistemology of disability, embodying the presented principles of the Convention on the Rights of Persons with Disabilities in connection with modern scientific knowledge [13]. The authors A. Harris, S. Enfield in the study presented the problems of children and women with disabilities who ended up in refugee camps, being marginalized and excluded from the general social environment [14].

So, completing the analysis of the results of the study of many scientists of the presented topic, we can identify a significant problem that is inherent today in the problematic aspects of inclusive design in the conditions of the war between the Russian Federation and Ukraine. Attention should be paid to the similarity of opinions in the presented robots of the authors, who propose to change the approach to organizational and practical actions in the formation of an accessible environment for people with disabilities in a peaceful environment, and especially during military conflicts in territories where refugees with disabilities are accepted.

Presentation of research results.

The action of inclusive design in the world began not so long ago, but its development after the adoption of the Convention on the Rights of Persons with Disabilities in 2006 meant significant changes in the formation of an inclusive product, as well as an inclusive space. Inclusive design has become an instrument of international influence, the structure of its formation in the countries participating in the space and product of accessibility, fulfilling the task of the Convention on the Rights of People with Disabilities at every stage of humanitarian influence [7]. Moreover, the preamble of the Convention on the Rights of Persons with Disabilities clearly defines the situational scope of this draft law in the following paragraphs: “u) Considering that an environment of peace and security based on full respect for the purposes and principles set forth in the Charter of the United Nations and respect for applicable human rights agreements is a sine qua non for the full protection of persons with disabilities. In particular during armed conflicts and foreign occupations; v) Recognizing the importance of accessibility to the physical, social, economic and cultural environment, health and education, as well as information and communication, as it enables persons with disabilities to fully enjoy all human rights and fundamental freedoms”. Further in article 11 of the same document we read: “States Parties shall take, in accordance with their obligations under international law, in particular international humanitarian law and international human rights law, all necessary measures to ensure the protection and safety of persons with disabilities. In situations of risk, in particular in armed conflicts, humanitarian emergencies and during natural disasters” [15]. Also, this docu-

ment presented and described the rights of Universal / Inclusive Design, as a flagship and guarantor of the implementation of the plans and decisions of the Convention in the territories of the participating countries. "Universal Design" means the design of objects, settings, programs and services to be usable by all people to the greatest extent possible without the need for adaptation or special design. «Universal design" does not exclude assistive devices for specific groups of people with disabilities, where necessary» [15].

For the past 16 years, this structure has been shaping not only new thinking in relation to people with inclusion, but also working on the invention of new accessibility products, as well as organizing the subject-spatial environment of accessibility. Indeed, in the progress reports submitted, one can see the changes that have begun to take place in the participating countries. It is a pity that the politicians of the participating countries at one time were not able to sufficiently appreciate the weight of the contribution of inclusive design to the formation of a new society of accessibility and equality. When an unexpected inspector came in the form of war, which revealed the real state of affairs, showing the level of fullness of the embodied principles proposed by the inclusive design to the participating countries in serving the least protected layers - people with disabilities. This article does not aim to give a critical assessment or present value judgments of someone's actions, but to present an analysis of existing facts in order to improve the conditions of the subject-spatial environment of people with inclusion, especially during military conflicts.

The annexation of Crimea and East Ukraine by the Russian Federation in 2014 brought a lot of suffering and contributed to the mass resettlement of refugees fleeing the totalitarian regime brought by the occupiers. The conflict resulted in the migration of more than 5 million people, of which about 60% were pensioners, about 13% were children, 60% were women, and 4% were people with various types of inclusion. In 2016, a mission of UNHCR experts on people with disabilities conducted an inspection of the state of places where people with disabilities stay in Odessa, Kyiv and other cities. She also conducted a survey and presented conclusions, which, in particular, revealed the risks and problems that became barriers for people with disabilities during the period of accommodation, as well as the provision of accommodation taking into account accessibility, as well as the creation of the necessary conditions:

- the lack of mass media equipped with Braille, as well as large print for transmitting information, the complete absence of information regarding the availability of suitable places for temporary accommodation of people with inclusion;
- lack of access to vital space (sanitary and hygienic premises, canteens, places of medical care for people with disabilities);
- lack of coordination of medical services in the timely provision of assistance, lack of necessary medicines, hygiene products, as well as rehabilitation means;
- lack of places for refugees with inclusion in temporary residences;
- the complete lack of coordination of interdepartmental institutions on the issue of providing employment for people with disabilities;
- lack of Web accessibility (Web accessibility is accessibility for all people, regardless of what devices they use to view the site, what level of health they have, in what conditions they do it) [7].

This list showed the unwillingness of Ukraine to provide full protection for the implementation of the legislative rights adopted in the Convention for Refugees with Disabilities. Here is one of the many testimonies of people with disabilities who were forced to flee the occupied territory: «We are forced to return... Yes, I'm afraid. I don't know what's ahead... My husband and I are handicapped and move around with the help of a wheelchair. We have two kids. Four of us were accommodated in a room of 9 sq.m., which is not adapted to our needs: the toilet is not available, to use it we need to go down the stairs, there is no elevator, the same problem to get to the dining room. It was cold in the room in winter. there is no work, there are also problems with obtaining medical care. It's so hard to live. We are desperate...». (Refugees from Lugansk) [10].

Ukraine still does not have a systemic approach to helping people with inclusion, children, and the elderly. In the presented report on the rights of people with disabilities in Ukraine for 2020, the pan-European non-governmental human rights organization of the Council of Europe stated that negative stereotypes, as well as legal discrimination against people with disabilities, often exclude them from Ukrainian society [16]. So, for example, in his statement in 2019, the Deputy Minister of Regional Development, Construction, Housing and Communal Services of Ukraine Lev Partskhaladze noted that: "Today, according to statistics, almost 90% of ramps in Ukraine are built incorrectly and are not adapted for people

with disabilities...» [17]. Statistical data as of January 01, 2020 indicate the presence in Ukraine of 2.7 million people who have disabilities, including 222.3 thousand who have group I disability 900.8 thousand with group II disability, 1416.0 thousand with III group of disability and 163.9 thousand children with disabilities [18]. This report was presented in 2020, and in 2022, when Ukraine faced Russian occupation in a full-scale war, which led to migration, which has already amounted to about 11 million people, of which about 5 million became refugees in other countries. Also increased the total number of people with disabilities, which amounted to 17% of the total population of Ukraine. The hostilities that began on the territory of Ukraine caused a huge number of refugees, of which a fairly large group of people with disabilities who turned out to be the most unprotected during this period, primarily due to disability (Fig. 1).



Figure 1. Evacuation of a woman in a wheelchair from the city of Irpin (Photographer: Aris Messinis/AFP/Getty Images), (March 7, 2022).

We are faced with the factor of abandonment, and often with disregard for people with disabilities, especially during evacuation activities from the occupied territories. The lack of information access has led to the fact that many people with inclusion were unable to respond and

arrive at the evacuation point in time, for example, people with vision or hearing problems may not hear / see warnings, or people with disabilities using wheelchairs, crutches, canes, prostheses. They cannot get to humanitarian centers on time without outside help in order to receive the necessary assistance, and therefore remain at risk [19, p. 238]. And evacuation measures in most cases were not ready for the transportation of people with disabilities, due to the lack of a sufficient number of specialized vehicles (Fig. 2).



Figure 2. Evacuation of refugees with inclusion in transport without special devices for transporting people with disabilities [30]

Unfortunately, at the beginning of the occupation of Ukraine, most of the platforms of railway stations were not equipped with the necessary loading devices for people with disabilities (Fig. 3).

Another big problem was the evacuation of children with disabilities from the places of military operations in Ukraine, their distribution and the creation of conditions for their comfortable stay (Fig. 4).



Fig. 3. Lack of folding ramps for transporting people with disabilities [31]



Figure 4. Children hiding from bombs in a Kiev basement [32]

Children in any circumstances remain children, therefore they are at particular risk during military conflicts (Fig. 5). Children with disabilities are extremely vulnerable and are at particular risk both during hostilities and during evacuation activities, as well as in finding places of refuge where the necessary conditions are created for children of various forms of disability.



Figure 5. Children are always children [33]

The entire process of evacuating children with disabilities primarily involves the use of special means of transportation, depending on the form of inclusion, its complexity, as well as qualified medical support. Not only to provide proper conditions for children with disabilities, as well as to prepare the necessary rehabilitation programs, it is necessary to take into account the following factors: psycho-emotional needs (children experienced severe stress due to military operations); age category; disability classification. Depending on this, having singled out a special group of children with disabilities, it is necessary to present those means of communication offered by inclusive design that they need to gain access to vital aspects of life, such as products equipped with Braille to provide information, the necessary means of transportation, loudspeak-

ers and etc. An obligatory factor for this category of children is the organization of specialized bathrooms, showers, the installation of ramps, as necessary, vital accessibility tools [7]. The presented report of human rights organizations indicates that the Russian invasion of Ukraine led to the fact that thousands of Ukrainian children with disabilities were abandoned in institutions and there was no one to take care of them [28]. These and many other problematic aspects of inclusive design could have been avoided and would not have led to catastrophic consequences. If the adopted Convention on the Rights of People with Disabilities in Ukraine in 2009 was taken seriously by the country's politicians, and the proposed norms would be implemented by inclusive design.

As events have shown, Ukraine did not have sufficient training and was unable to effectively carry out the necessary measures aimed at protecting vulnerable segments of the population in a military crisis. That is, for the most part, the chaotic resettlement of persons with disabilities, as well as their resettlement in refugee shelters with their lack of access to primary physiological needs, cannot be called a successfully organized evacuation [7]. Moreover, there are people with disabilities who are clearly invisible to humanitarian aid organizations or government agencies, but they have needs that also need to be met, for example: to prevent bedsores, solve the issue of insulin for people with diabetes or provide special nutrition. For people in this category of disability (both are vital); also special medical devices and medicines for the urinary system. Insufficient protection of people with disabilities is a consequence of the lack of proper education and understanding of the essence of disability, which, in turn, hampered evacuation processes [27]. According to representative organizations of people with disabilities, as well as their members, the situation in Ukraine is horrendous for them. The shelters available in Kyiv are not accessible, so people with disabilities are forced to stay at home, because they do not know where to go and who will help them. For many people with inclusion, it is physically impossible to move to a safe place due to the inaccessible organization of evacuation plans. People with disabilities in case of danger do not have the opportunity to go down to the shelter. Essential information about emergency evacuations, as well as the location of shelters and how to seek help, is provided in inaccessible formats. In many cases, shelters are not accessible to people with inclusion using wheelchairs to enter and move around.

Consequently, many people with sensory impairments, such as the blind and visually impaired, the deaf and hearing impaired, and the deaf-blind, do not understand how to access limited safety and affordable assistance. Thousands of children and adults with disabilities are also in institutions at risk of abandonment or serious neglect [20]. Different opinions are heard today regarding the forecasts for the future fate of people with inclusion, here are some of them: "This war will greatly affect the lives of people with disabilities and those who are in the most vulnerable position in society", Baroness Jane Campbell said in the show "Emma Barnett Meets" [26]. Also, leading activists for the protection of people with disabilities in Ukraine said that the community of people with disabilities in the country was thrown far back, because the principle of "survival of the fittest" unfortunately came to the fore [29]. The head of the International Alliance of the Disabled, Yannis, said that their help in the evacuation processes was not great, but even those refugees with disabilities who still managed to get to shelters or centers for refugees inside the country faced barriers. For example, the inaccessibility of information [20].

The negative nature of the problem is also aggravated by the absence of a body that would keep statistics on the number of refugees who have disabilities, with a mandatory breakdown by disability groups. Moreover, there is no classifier in which children with disabilities would be recorded separately from the general group of children with disabilities, which would make it possible to navigate in demanded needs and respond to them in time [7].

The migration of refugees with disabilities to other countries has become part of the realities of the life of Ukrainian society during this period of the military conflict with the Russian Federation. Many countries of the world community cordially opened the doors of their countries to receive people in need of asylum from Ukraine [21]. Unfortunately, people with disabilities also faced many barriers there. Starting with the refugee camps, where a person who does not have a disability feels normal, because the most necessary needs are available to him. But a person with inclusion using a wheelchair as a means of transportation in these conditions may suffer due to the lack of access to toilets equipped with special devices or the lack of ramps or elevators to go up to the canteen or visit the medical office (Fig. 6). For him, these questions are vital [22, para. 21].



Figure 6. Refugee camp in Krakovets, Poland [34]

Here is another illustration using the Nostorf-Horst refugee camp in Germany as an example. This is a well-equipped camp for refugees who do not have special problems with inclusion, but for people with limited mobility, this camp presents insurmountable barriers. Fig. 7 shows that the toilet does not have dedicated cubicles for people with disabilities using wheelchairs. Also, the washbasin is not equipped with the necessary handrails (Fig. 7 b). The shower cabin does not have enough space for people of this category of disability to visit it (Fig. 7 c).

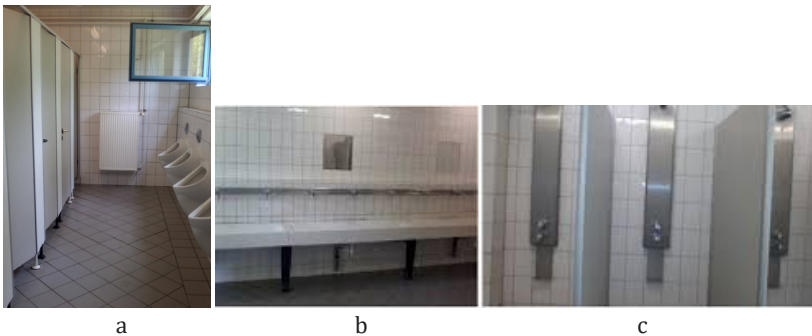


Figure 7. Sanitary facilities in the Nostorf-Horst refugee camp in Germany [35]
*a) lack of specialized cabins; b) lack of handrails on the washbasin;
 c) lack of necessary space for people with inclusion who use wheelchairs to move around*

The UNHCR, referring to compliance with the requirements of inclusive design in matters of accessibility, stated that shelters for refugees should meet their specific needs, as well as meet the standards of accessibility of inclusive design for people with disabilities [19]. Relevant international norms determine the necessary dimensions of accessibility in a given spatial environment for people with disabilities (Fig. 8), [23].

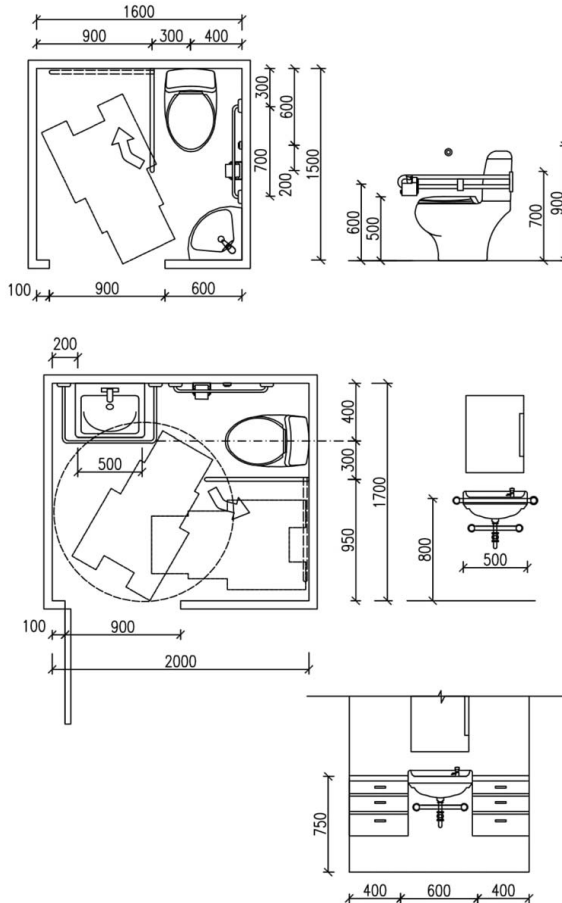


Figure 8. European norms for shaping the accessibility space [36]

Also, the kiosk that exists on the territory of the Nostorf-Horst refugee camp is not accessible to people with inclusion using wheelchairs. This is due to the fact that, firstly, it does not have a ramp, and secondly, the area in front of the doors does not meet the standards (Fig. 9).



Figure 9. The kiosk at the campsite is not accessible to people with disabilities using wheelchairs to move around [35]

These problems are inherent in many refugee camps, depriving people with disabilities of access to the most necessary needs, causing suffering to this category of people who face this problem every day [24]. Another of the problems has become a barrier for refugees from Ukraine to Germany - this is confirmation of an existing disability. The fact is that the Ukrainian disability certificate in Germany is not valid, and in order to get a new one, it is necessary to prepare a fairly large number of documents, approve them, and only then undergo the required necessary medical tests, obtain conclusions, extracts, etc. Also, if your documents are not written in German, you need to contact a special company that can provide a translation service. In total, the procedure confirming disability provides for a 5-month period. All this time, until there is no confirmation of the category of disability, a person with a disability must live in general conditions. In such refugee camps, people with disabilities face constant barriers and associated suffering in the absence of access to basic needs [25]. If a person with a hearing impairment can stay in a tent camp, then a

person with a movement restriction needs special conditions in which he would have access to the most necessary sources of life.

Using the recommendations of inclusive design in the formation of norms and rules for persons with disabilities, many human losses could be avoided. Another problematic aspect of the untapped possibilities of inclusive design is the lack of involvement of people with inclusion in the processes of organizing and planning humanitarian assistance in this period of armed conflict. This neglect prevents them from exercising their rights granted by the Convention on the Rights of Persons with Disabilities [10]. UN Secretary-General Ban Ki-moon, quoting Firoz Ali Alizade, declared that “People with disabilities are the biggest untapped resource for disaster planners around the world” [13]. The problems we have described are not only a problem of today, but it runs like a red thread through many military conflicts that have already occurred in the 21st century, representing the realities of the actions of the inclusive policy of certain countries regarding the development of inclusive design on their territories.

Summing up, we can say that the understanding of inclusive design is not limited to technical issues, but its requirements and appeals to the countries participating in the Convention are, first of all, an appeal to honor and compassion. The desire to arouse the heart’s desire for acts of mercy, compassion for others, in an effort to alleviate the hardships of citizens of the country with various forms of disability, filling their lives with sincere care, friendship and attention from the surrounding society.

Conclusions. The study of the problematic aspects of inclusive design in the conditions of the war between Russia and Ukraine allows us to state the facts of weak integration of the principles of inclusive design in the structural processes of the countries-participants of the Convention on the Rights of Persons with Disabilities. Especially when it comes to Ukraine, which is currently in a military conflict due to the unjustified aggression of the Russian Federation. Inertia in the development of this issue postpones the proposed inclusive design project for the formation of a society of equality and accessibility, where all citizens without exception have equal access and opportunities to all social benefits. The realization of equal rights, especially for people with disabilities, will help build a humane and non-selfish society that can equally care for everyone in equal proportion and contribute to the creation of a truly democratic system.

References:

1. **Vains, C.** (2017a). Refugees, migration and inclusive communities through design: an “urban interior” approach to resilient cities. In A. Gospodini (Ed.), *Proceedings of the International Conference on Changing Cities III: Spatial, Design, Landscape & Socio-economic Dimensions* (pp. 912–926). Grafima Publications.
2. **Silva, R. L., Oliveira, J., Dias, C., Pinto, I. R., & Marques, J. M.** (2018). How inclusive policies shape prejudice versus acceptance of refugees: A Portuguese study. *Peace and Conflict: Journal of Peace Psychology*, 24(3), 296–305. <https://doi.org/10.1037/pac0000314>
3. **Cala, V. S., Soriano-Ayala, E., & López-Martinez, M. H.** (2018). Attitude towards refugees and inclusive European citizenship. Analysis of an intercultural educational proposal with teachers in the learning process. *LIGHTEN*, 24(2), 1–13.
4. **Vains, C.** (2017b). *The Guesthouse Project: refugees, migration and inclusive communities through design 2017*. RMIT University.
5. **Berghs, M.** (2015). Disability and Displacement in Times of Conflict: Rethinking Migration, Flows and Boundaries. *Disability and the Global South*, 2(1), 442–459.
6. **Ali, C.** (2017). *Forgotten Victims of Armed Conflict: Challenges Faced By Persons With Disabilities* [Master Thesis].
7. **Bushchenko, A.** (2016). *Rights of persons with disability in the armed conflict in the east of Ukraine. Analytical report of the Ukrainian helsinki human rights union*. <https://helsinki.org.ua/wp-content/uploads/2016/10/Persons-with-disabilities-in-armed-conflict-eng-1.pdf>
8. **Rohwerder, B.** (2013). Intellectual disabilities, violent conflict and humanitarian assistance: advocacy of the forgotten. *Disability & Society*, 28(6), 770–783.
9. **Stewart, A.** (2022, March 7). *Escape from Ukraine: 4-time Paralympian’s 1,000-kilometre journey with disabled son*. Global News. <https://globalnews.ca/news/8664475/ukraine-disabled-refugees-latvia/>
10. **Kravchenko, R.** (2022, March 11). *Fate of Ukrainians with disabilities a “crisis within a crisis.”* Reuters. <https://www.reuters.com/world/fate-ukrainians-with-disabilities-crisis-within-crisis-2022-03-11/>
11. **Rohwerder, B.** (2016). *Women and girls in forced and protracted displacement* (pp. 1–20). GSDRC. <http://www.gsdr.org/wp-content/uploads/2016/06/HDQ1364.pdf>

12. **Naomi, H., Mary, C., Ron, M., & Ben, S.** (2014). Making Every Life Count: Ensuring Equality and Protection for Persons with Disabilities in Armed Conflicts. *Monash University Law Review*, 40(1), 148–174.
13. **Hamraie, A.** (2012). Universal Design Research as a New Materialist Practice. *Disability Studies Quarterly*, 32(4). <https://doi.org/10.18061/dsq.v32i4.3246>
14. **Harris, A., & Enfield, S.** (2003). *Disability, Equality and Human Rights – A Training Manual for Development and Humanitarian Organizations*. Action on Disability and Development Oxfam GB.
15. *Convention on the Rights of Persons with Disabilities [A/RES/61/106]*. (2007). UN. Department of Economic and Social Affairs Disability. <https://www.un.org/development/desa/disabilities/resources/general-assembly/convention-on-the-rights-of-persons-with-disabilities-ares61106.html>
16. *The Informal International Network Getting Disabled Ukrainians Out of the War Zone*. (2022, March 31). TIME USA, LLC. <https://time.com/6161800/disabled-refugees-ukraine/>
17. *90 % пандусов в Украине построены неправильно, Кабинет [90% of ramps in Ukraine are built incorrectly, Cabinet of Ministers]*. (2019, March 4). “Fokus” — ezhenedelnyiy ukrainskiy russkoyazychniyi sotsialno-politicheskiy zhurnal i ezhednevnyiy novostnoy internet-resurs. [“Focus” is a weekly Ukrainian Russian-language socio-political magazine and a daily online news resource] <https://focus.ua/ukraine/425217-90--pandusov-v-ukraine-postroeny-neppravilno--kabmin> [in Russian].
18. *Osobam z invalidnistiu [Persons with disabilities]*. (2020). Ministerstvo sotsialnoi polityky Ukrainy [Ministry of Social Policy of Ukraine]. <https://www.msp.gov.ua/timeline/invalidnist.html> [in Ukrainian].
19. **UNHCR.** (2010). *Handbook for the Protection of Internally Displaced Persons*. <http://www.unhcr.org/4c2355229.pdf>
20. *Through this conflict in Ukraine, what happens to persons with disabilities?* (2022). International Disability Alliance. <https://www.internationaldisabilityalliance.org/content/through-conflict-ukraine-what-happens-persons-disabilities>
21. *Ukraine emergency*. (2022). USA for UNHCR. <https://www.unrefugees.org/emergencies/ukraine/>
22. **UN Secretariat.** (2015). *Addressing the vulnerability and exclusion of persons with disabilities: the situation of women and girls, children’s right to education, disasters and humanitarian crises*. United Nations Digital Library. <https://digitallibrary.un.org/record/844726?ln=en>

23. *Building construction — Accessibility and usability of the built environment*. (2021). ISO 21542:2021. <https://www.iso.org/obp/ui/#iso:std:iso:21542:ed-2:v1:en>
24. *Persons with disabilities in the context of armed conflict: Submission to the UN. Special Rapporteur on the Rights of Persons with Disabilities*. (2021, June 8). Human Rights Watch. <https://www.hrw.org/news/2021/06/08/persons-disabilities-context-armed-conflict>
25. *Informatsiya dlya bezhentshev s invalidnostyu [Information for refugees with disabilities]*. (2022). Pravyaschaya burgomistr Berlina - Kantselyariya Senata. [Ruling Mayor of Berlin - Chancellery of the Senate] <https://www.berlin.de/ukraine/ru/pribytie/informazija-dlja-beshenzew-s-invalidnosttju-1194628.ru.php> [in Russian].
26. **Shepherd, D.** (2022, April 1). *Disabled Ukrainians Are Left Behind Amid War, Activists Say*. Bloomberg. <https://www.bloomberg.com/news/articles/2022-03-31/disabled-ukrainians-are-left-behind-amid-war-activists-say>
27. **UN Secretary-General.** (2013, October 9). *Persons with Disabilities Central to Disaster Resilience Initiatives, Secretary-General Says in Message for International Observance*. UN. <https://www.un.org/press/en/2013/sgsm15383.doc.htm>
28. **Ainsworth, K., & Davey, C.** (2022, May 4). *Ukraine-Russia war: Human rights groups say children with severe disabilities tied to beds as thousands were abandoned - as it happened*. OCO News. <https://www.abc.net.au/news/2022-05-05/ukraine-russia-war-updates-putin-zelenskyy-mariupol-kyiv/101039760>
29. **Rohwerder, B.** (2017). *Women and girls with disabilities in conflict and crises* (pp. 1–20). K4D. <https://reliefweb.int/sites/reliefweb.int/files/resources/032-Women%20and%20girls%20with%20disabilities%20in%20crisis%20and%20conflict.pdf>
30. **Pnin, T., & Klimova, M.** (2022, March 25). *“Nahoditsya doma v gnetushchej bezopasnosti kak-to tyazhelo”. Bezhavshie ot ugovolnyih del v Rossii aktivistyi — o tom, kak stali volonterami na granitse Polshi i Ukrainyi*. Mediazona. [“It’s kind of hard to be at home in oppressive security.” Activists who fled from criminal cases in Russia talk about how they became volunteers on the border between Poland and Ukraine. Media zone.] <https://zona.media/article/2022/03/25/volunteers> [in Russian].
31. *Poezda i vokzaly v Ukraine adaptiruyut dlya nadobnostey invalidov [Trains and stations in Ukraine will be adapted for the needs of the disabled]*. (2014). Argumentyi i Faktyi. <https://aif.ua/society/social/1388717> [in Russian].

32. **Nelson, N.** (2022, March 12). *Plea for safe route to evacuate 100,000 Ukrainian orphans in 700 children's homes*. Mirror News. <https://www.mirror.co.uk/news/world-news/plea-safe-route-evacuate-100000-26452941>
33. **Kotlyar, A.** (2022, April 3). *Operatsiya "Neevakuatsiya". Pochemu gosudarstvennyih detey vovremya ne vyvezli s linii fronta [Operation Non-Evacuation. Why state children were not taken out of the front line in time]*. ZN.UA. https://zn.ua/social_secutity/operatsija-neeвакуatsija-pochemu-hosudarstvennykh-detey-vovremja-ne-vyvezli-s-linii-fronta.html [in Russian].
34. *Ne tolko v Ben-Gurione: v kakih usloviyah sodержatsya ukrainskie bezhentsyi v Polshe [Not only in Ben Gurion: in what conditions are Ukrainian refugees held in Poland]*. (2022, March 11). Vesti. <https://www.vesty.co.il/main/article/sytvggrzq> [in Russian].
35. **Lipinskiy, V.** (2015). *Lager dlya bezhentsev v Germanii "Nostorf-Horst". Vzglyad iznutri [Refugee camp in Germany "Nostorf-Horst". Inside view]*. MEINLAND.RU. <https://meinland.ru/article-766-1-lager-dlya-bezhencev-v-germanii-nostorfhorst-vzglyad-iznutri.html> [in Russian].
36. *Inklyuzyvnist budivel i sporud. Osnovni polozhennia [Inclusive buildings and structures. Substantive provisions.]*. (2018). <https://dreamdim.ua/wp-content/uploads/2019/03/DBN-V2240-2018.pdf> [in Ukrainian].

Polumysna Olga,

PhD (Philological Sciences), Associate Professor
Associate Professor of Journalism
V. N. Karazin Kharkiv National University
e-mail: polumisna.olga@gmail.com,
ORCID: 0000-0002-4289-0588

Bulatov Valery,

Senior Lecturer in Design Department
Ukrainian Institute of Arts and Sciences
Postgraduate student of the Kyiv National University of Technology and Design
e-mail: bulatov@ugi.edu.ua,
ORCID: 0000-0003-0832-2429